

10/507392

FP03-0044-00

1/17

Fig.1

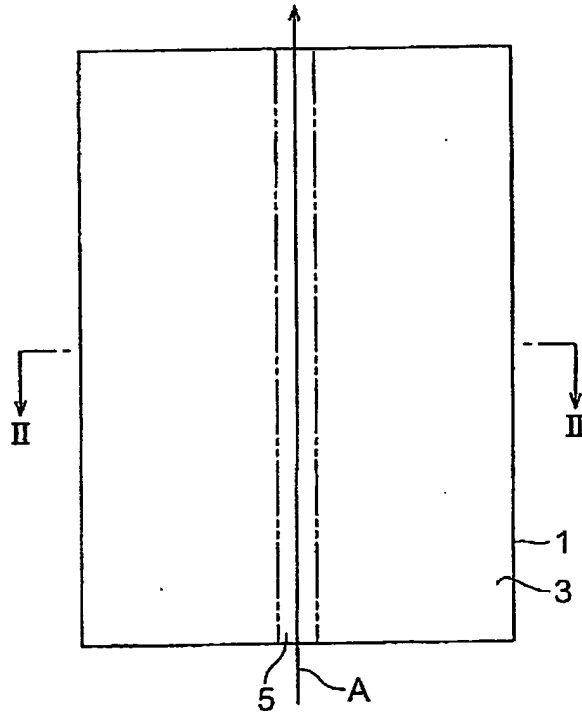
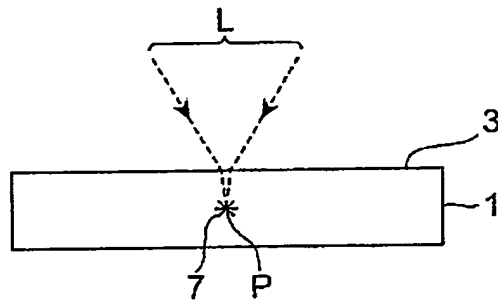


Fig.2



10/507392

FP03-0044-00

2/17

Fig.3

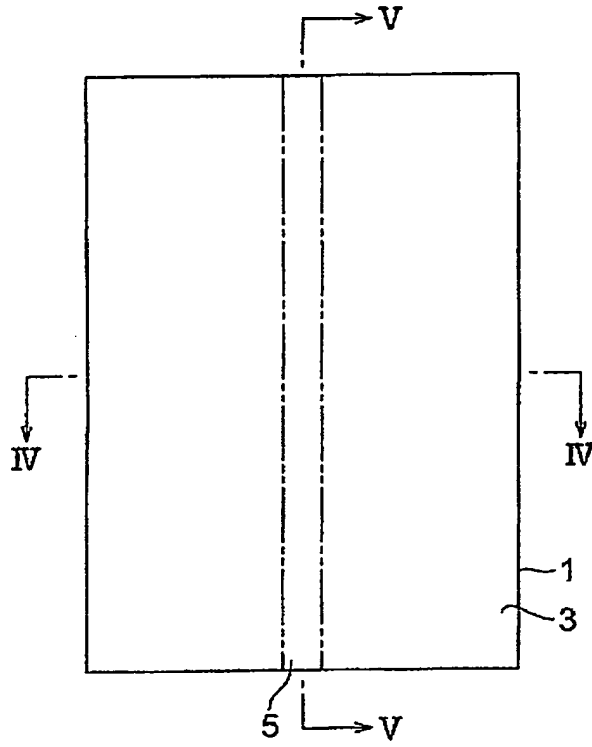
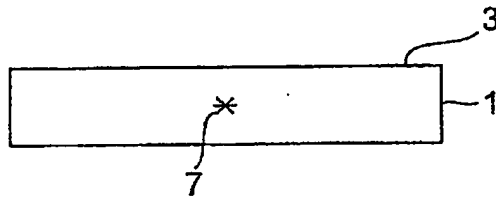


Fig.4



10/507392

FP03-0044-00

3/17

Fig.5

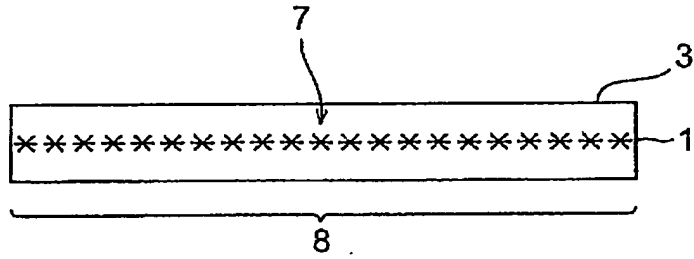
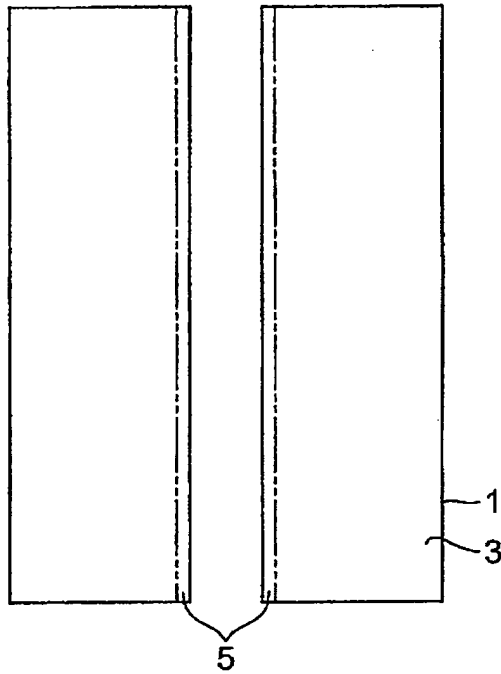


Fig.6

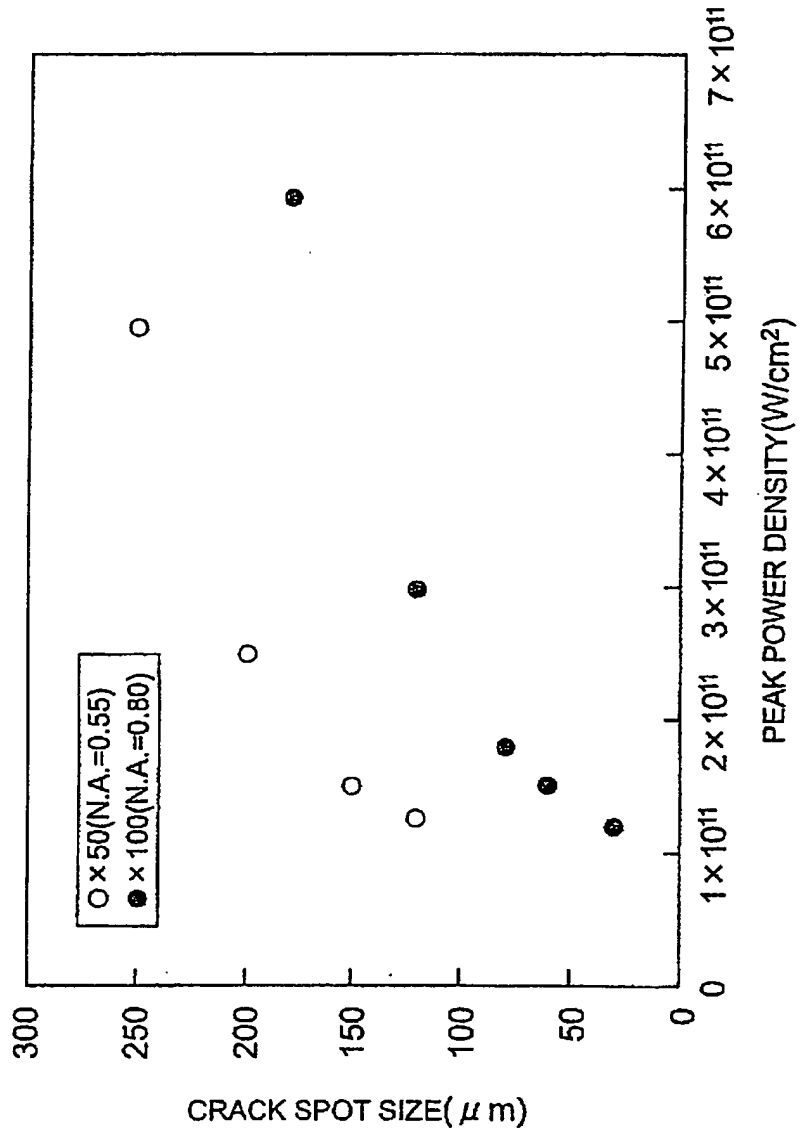


10/507392

FP03-0044-00

4/17

Fig.7



FP03-0044-00

10/507392

5/17

Fig.8

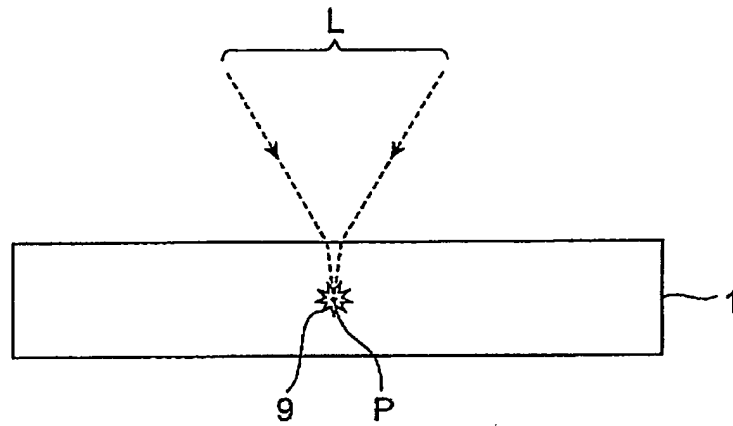
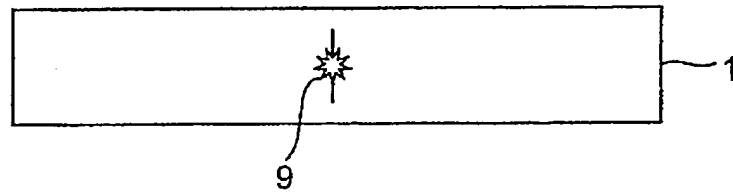


Fig.9



10/507392

FP03-0044-00

6/17

Fig.10

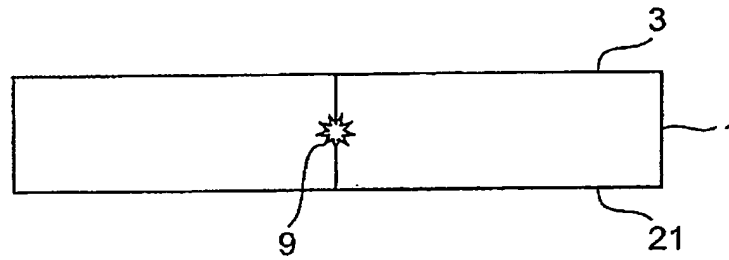
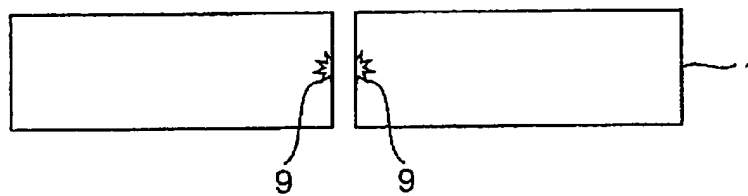


Fig.11



10/507392

FP03-0044-00

7/17

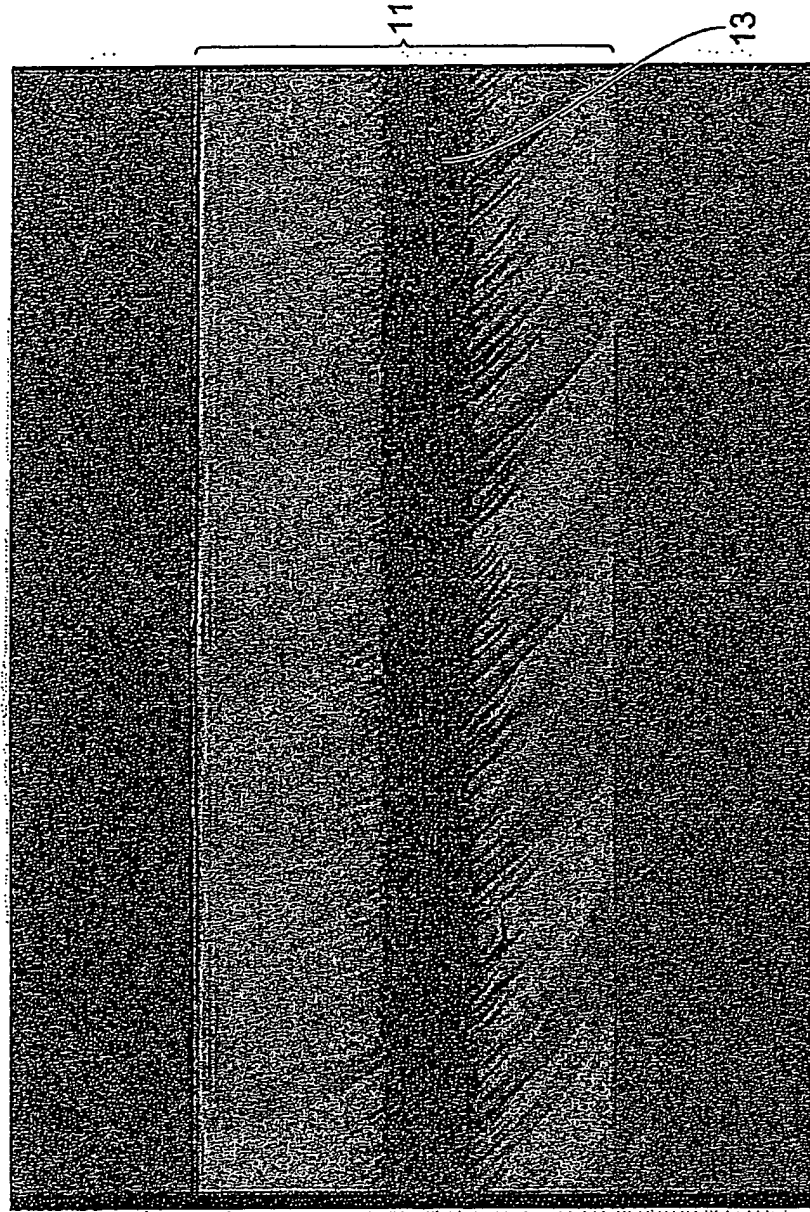


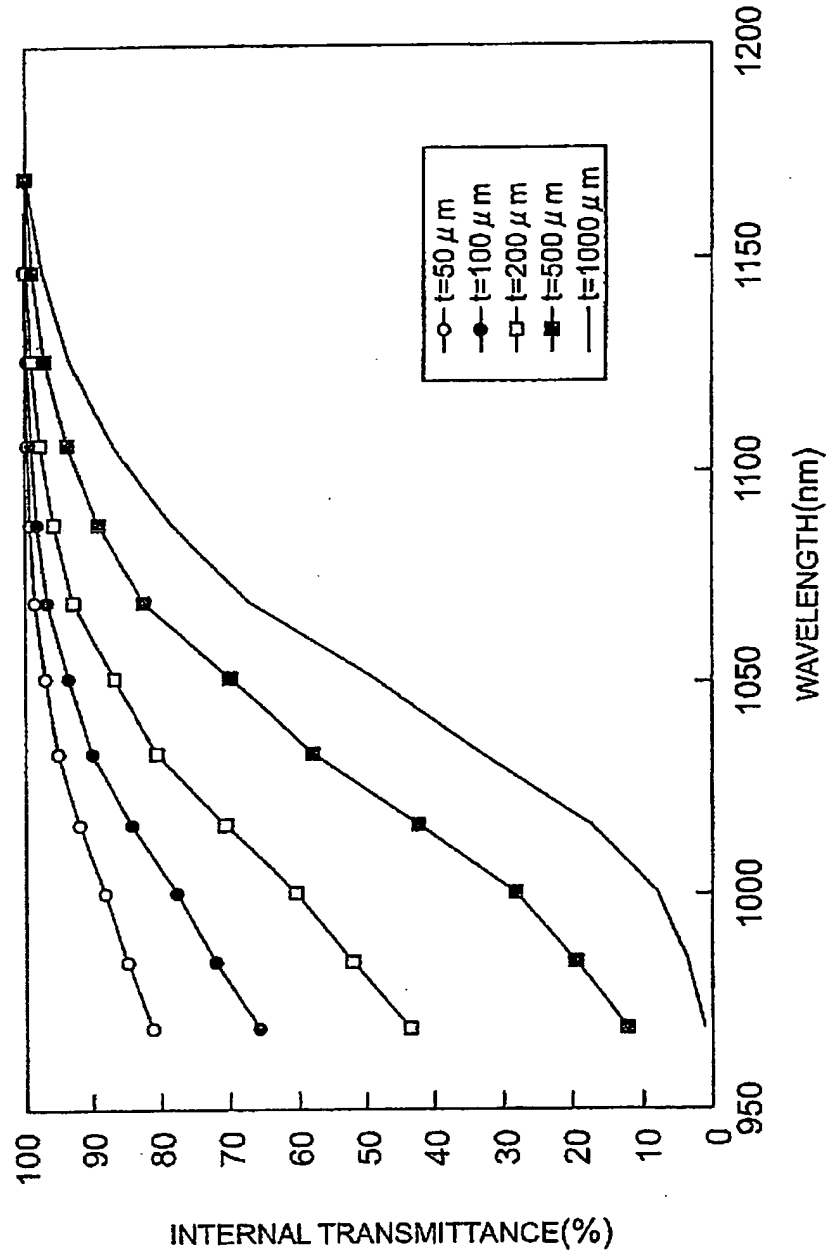
Fig.12

10/507392

FP03-0044-00

8/17

Fig.13



FP03-0044-00

10/507392

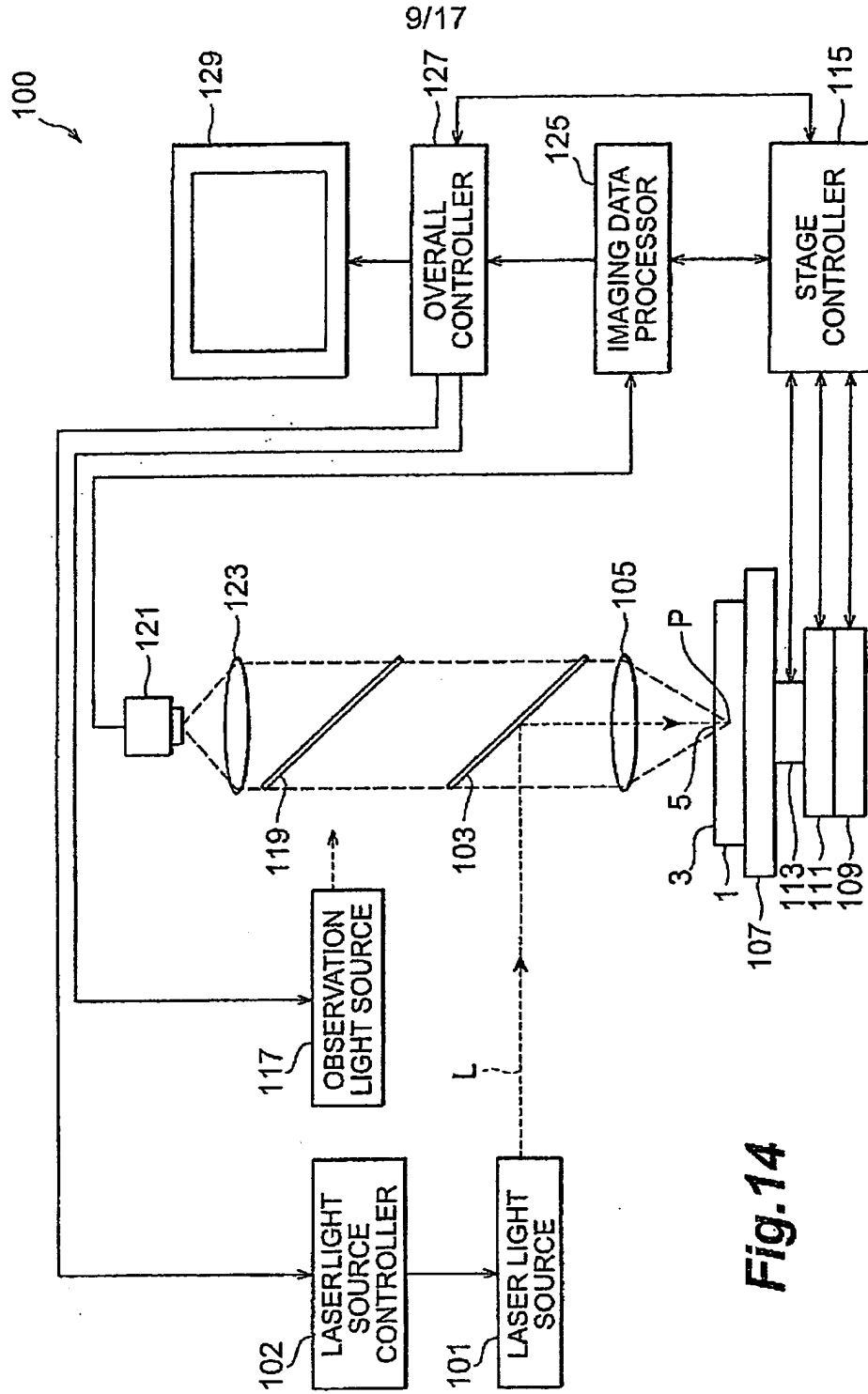


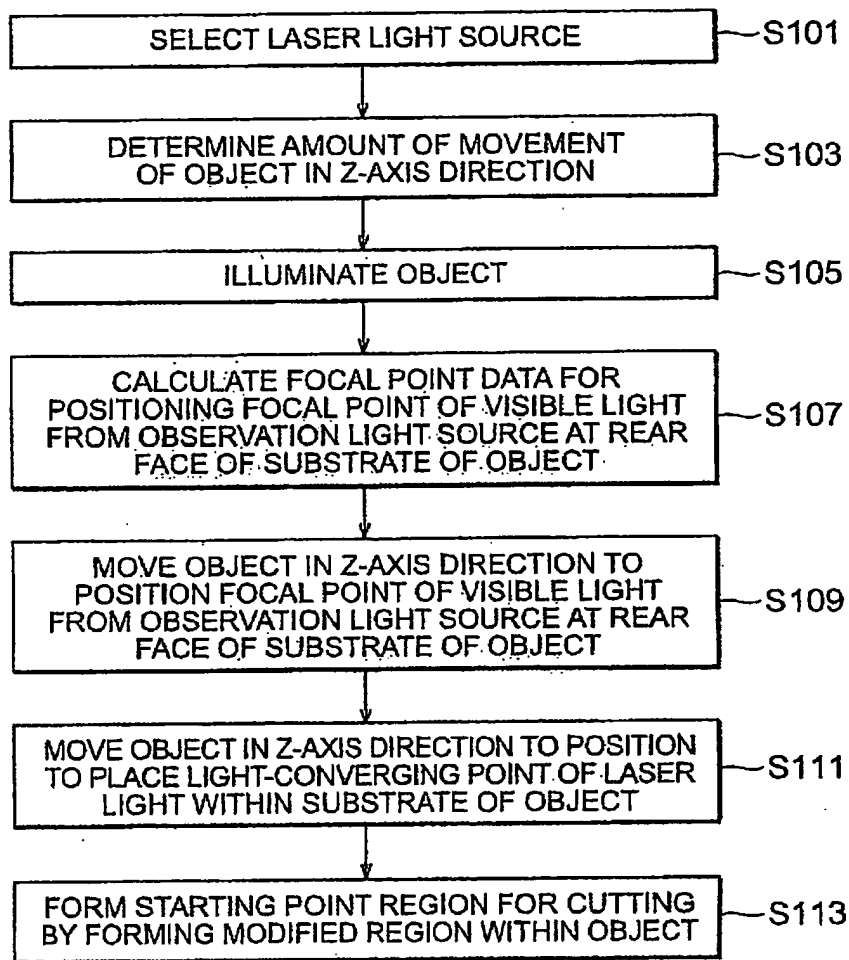
Fig. 14

10/507392

FP03-0044-00

10/17

Fig.15



FP03-0044-00

10/507392

11/17

Fig.16A

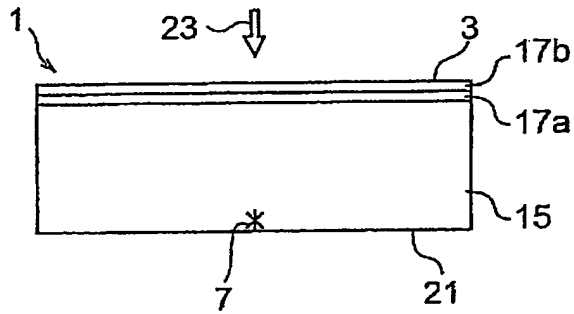
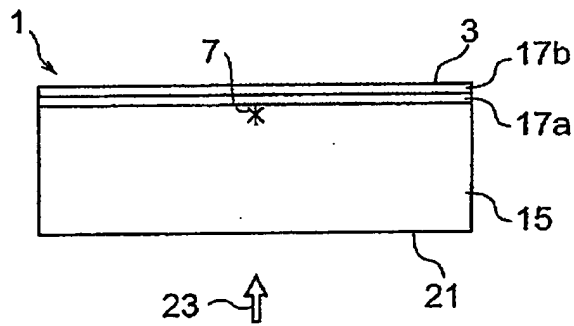


Fig.16B



FP03-0044-00

12/17

Fig.17A

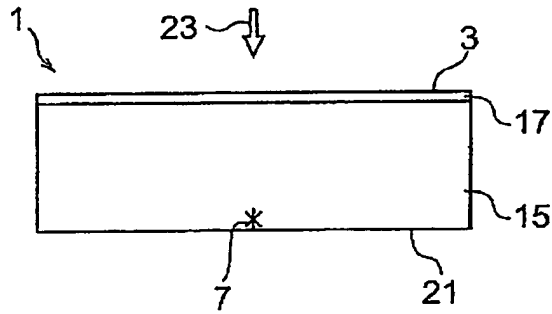
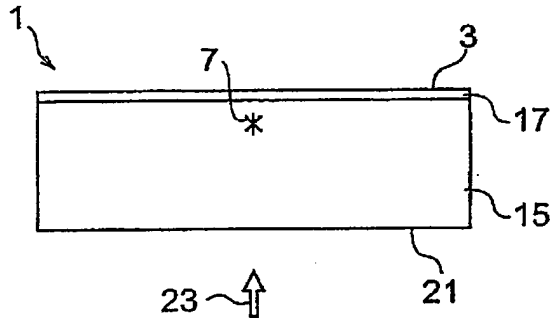


Fig.17B



FP03-0044-00

13/17

Fig.18A

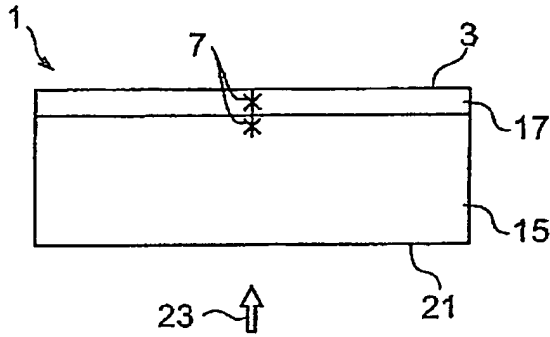


Fig.18B

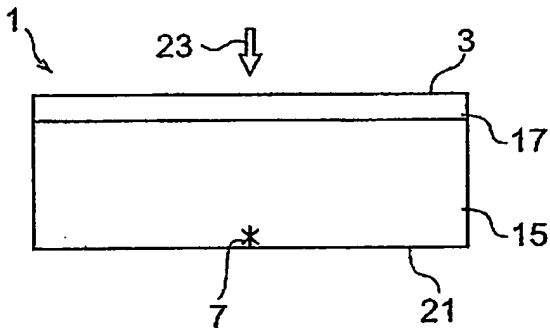
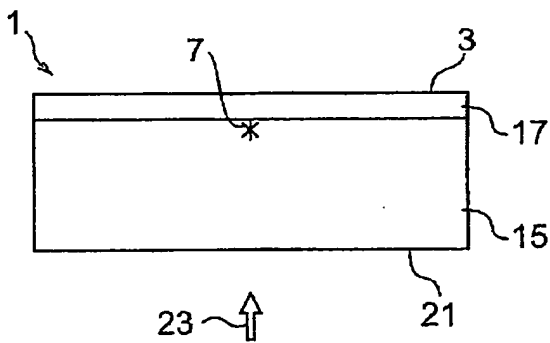


Fig.18C

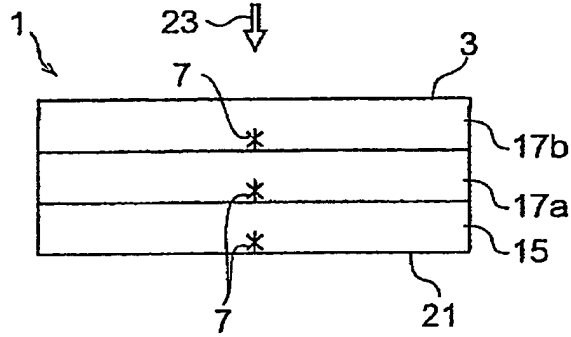


10/507392

FP03-0044-00

14/17

Fig.19



10/507392

FP03-0044-00

15/17

Fig.20A

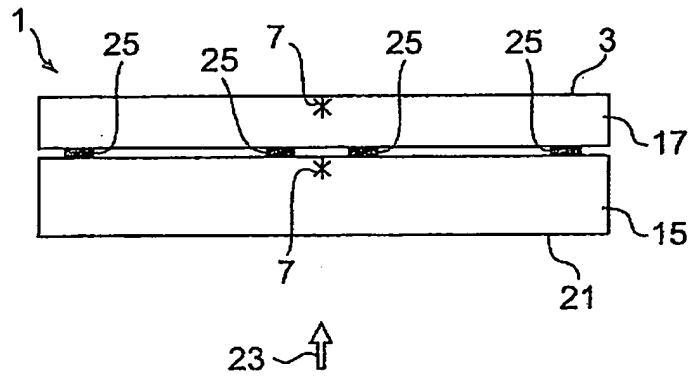
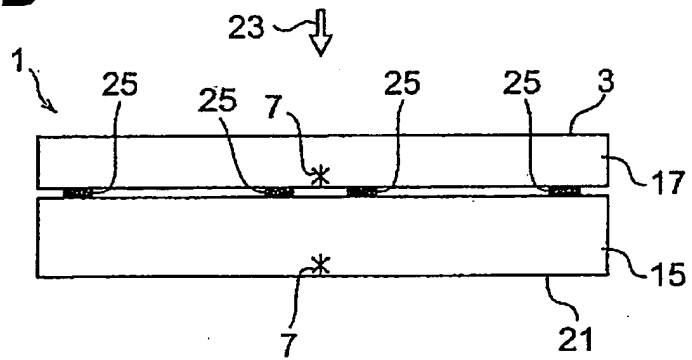


Fig.20B



10/507392

FP03-0044-00

16/17

Fig.21A

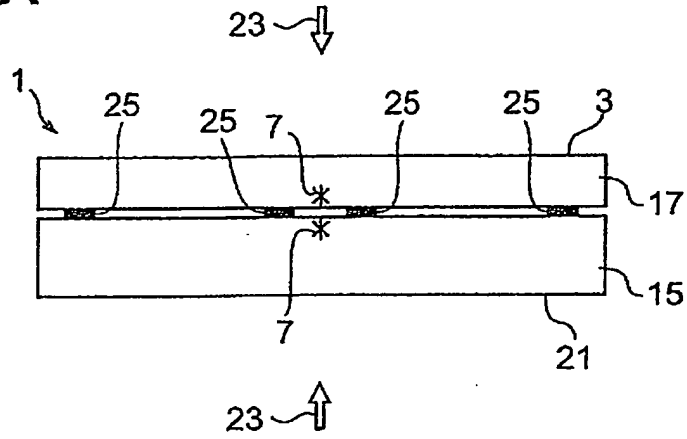
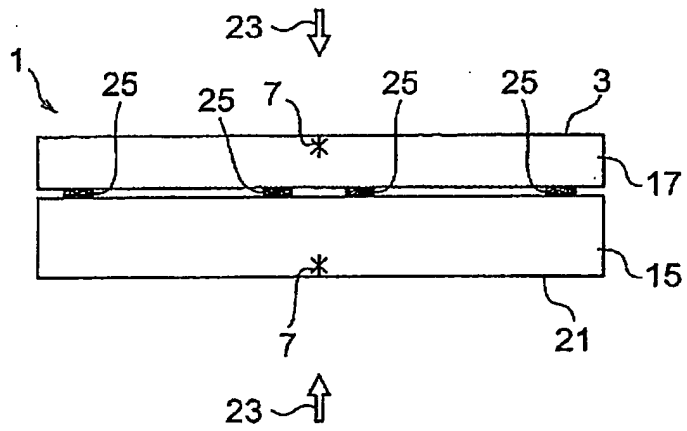


Fig.21B



10/507392

FP03-0044-00

17/17

Fig.22

